



राष्ट्रीय फैशन टेक्नोलोजी संस्थान, गांधीनगर

**National Institute of Fashion Technology**

(निफ्ट अधिनियम 2006 अंतर्गत वैधानिक संस्थान, वस्त्र मंत्रालय, भारत सरकार)

Statutory Institute under NIFT Act 2006, Ministry of Textiles, Govt. of India

घ - 0 मार्ग, इन्फो सिटी के पास, गांधीनगर - 382 007/ GH-0 Road, Nr. Infocity, Gandhinagar-382 007.

दूरभाष / Phone No. 079-23240832, 23240834 Fax No. 079-23240772

## शुद्धि पत्र एवं एक्सटेंशन नोटिस

### CORRIGENDUM AND EXTENSION NOTICE

**“Purchase of Big and Square Revolving Soft Board”** के लिए दिनांक 05.07.2018 को जारी की गयी निविदा सं. 8627-12(07)/TD/CB/Purchase-Soft Bard-Square (Revolving)/2018 में निम्नलिखित संशोधन पर ध्यान दिया जाए।

With reference to the rate inquiry notice dated 05.07.2018 vide Ref. no. 8627-12(07)/TD/CB/Purchase-Soft Bard-Square (Revolving)/2018 in respect of **“Purchase of Big and Square Revolving Soft Board”**, the following amendment may be noted :

- 1) सॉफ्ट बोर्ड के स्पेसिफिकेशन में सुधार किया गया है जो **“without metal frame”** के बदले **“with metal frame”** पढ़े।

Specification of soft boards is modified as earlier in rate inquiry soft board **“without metal frame”** to be read as **“with metal frame”**.

- 2) रेट इन्क्वायरी प्रस्तुत करने की अंतिम दिनांक 27.07.2018 दर्शायी गयी थी जो अब दिनांक 06.08.2018 समय 15.00 तक आगे बढ़ाई गयी है

The last date for submission of duly filled Rate Inquiry was mentioned as 27-07-2018, the last date for submission of rate inquiry has now been further extended up to 06-08-2018 till 15.00 hrs.

अधिक जानकारी के लिए निफ्ट वेबसाइट [www.nift.ac.in/Gandhinagar](http://www.nift.ac.in/Gandhinagar) देखें।

For more detail visit NIFT's website [www.nift.ac.in/Gandhinagar](http://www.nift.ac.in/Gandhinagar).

**(Chirag Solanki)**  
Assistant Director

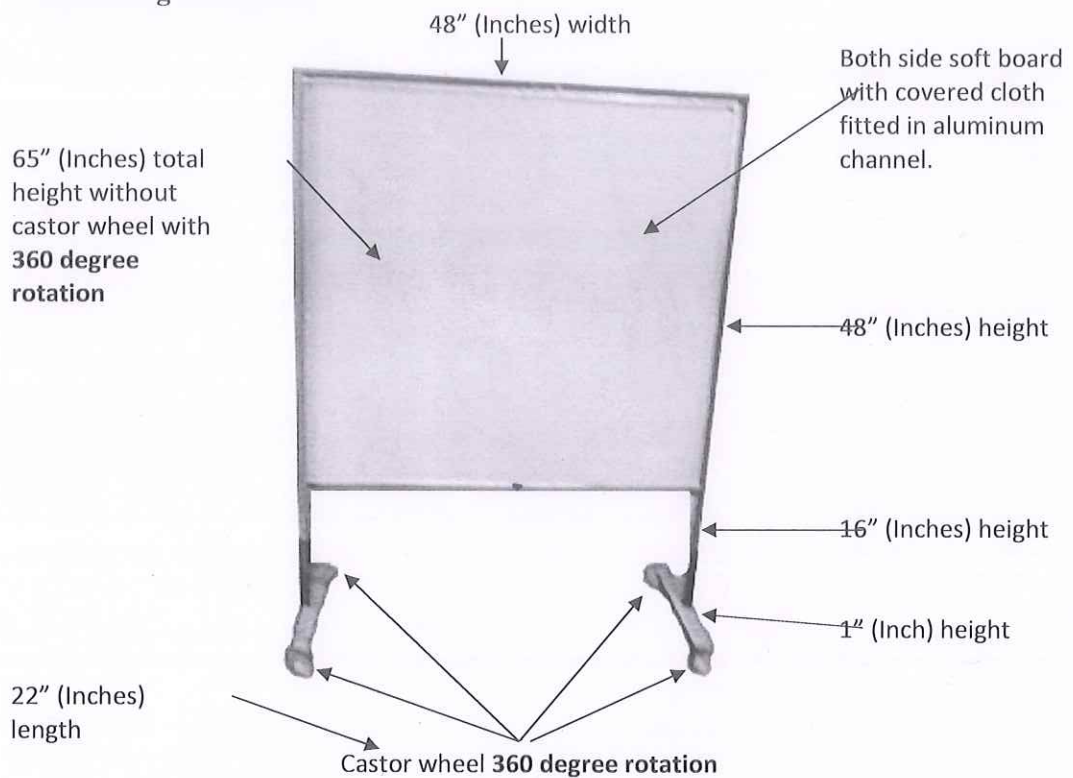
## Capital Budget BE 2018-19:

### Specifications:

Item	Soft Board – Square (Revolving)
Qty.	10
1	Soft board size 48" x 48" (with metal frame)
2	Color of metal frame – Orange powder coated

### Specifications

#### 1. Revolving Soft Board



  
(Manish Bhargava)  
Assoc. Prof. & Centre Coordinator  
Textile Design Department  
13<sup>th</sup> June 2018

21/7/2018

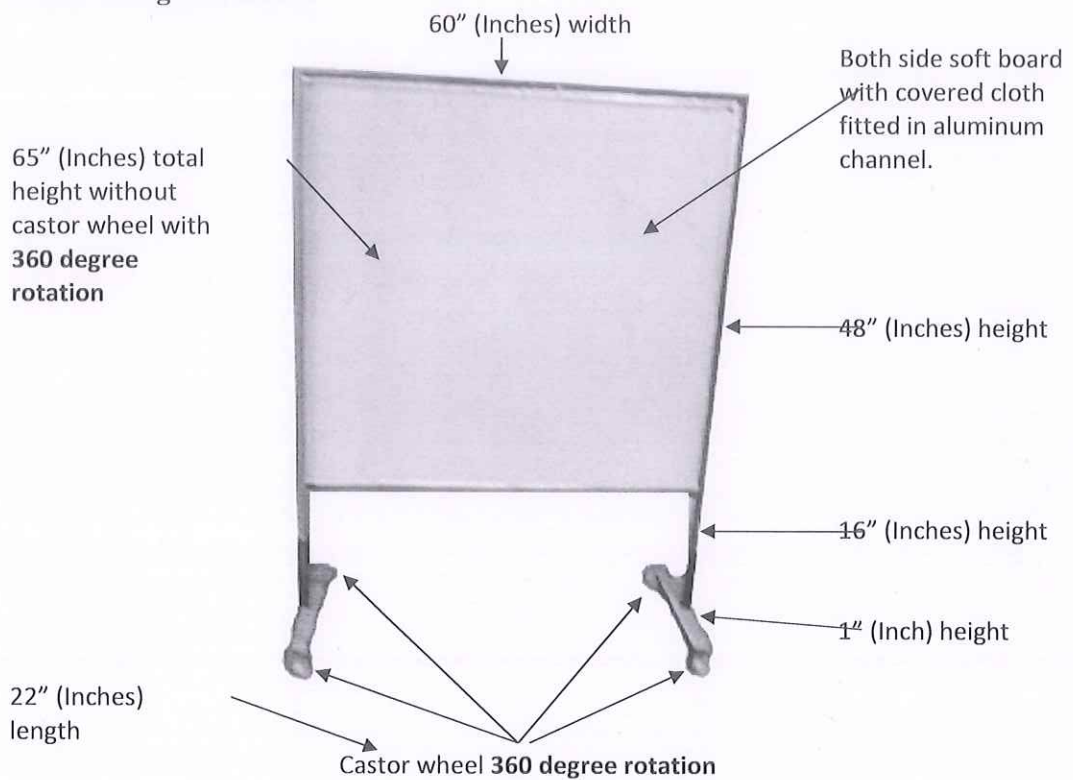
## Capital Budget BE 2018-19:

### Specifications:

Item	Soft Board – Big (Revolving)
Qty.	20
1	Soft board size 60" x 48" (with metal frame)
2	Color of metal frame – Orange powder coated

### Specifications

#### 1. Revolving Soft Board



*(Signature)*  
(Manish Bhargava)  
Assoc. Prof. & Centre Coordinator  
Textile Design Department

13<sup>th</sup> June 2018

27/7/18